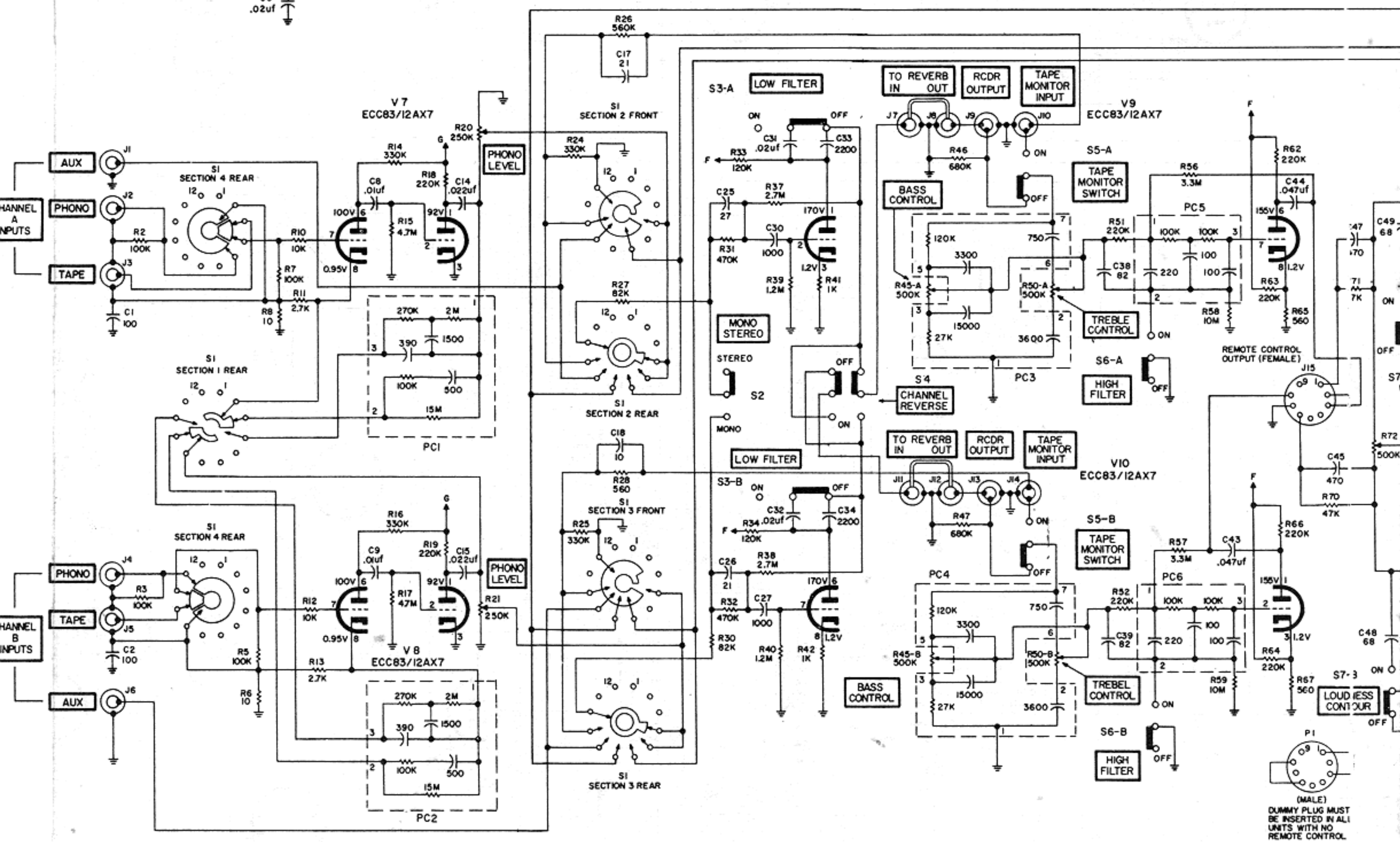
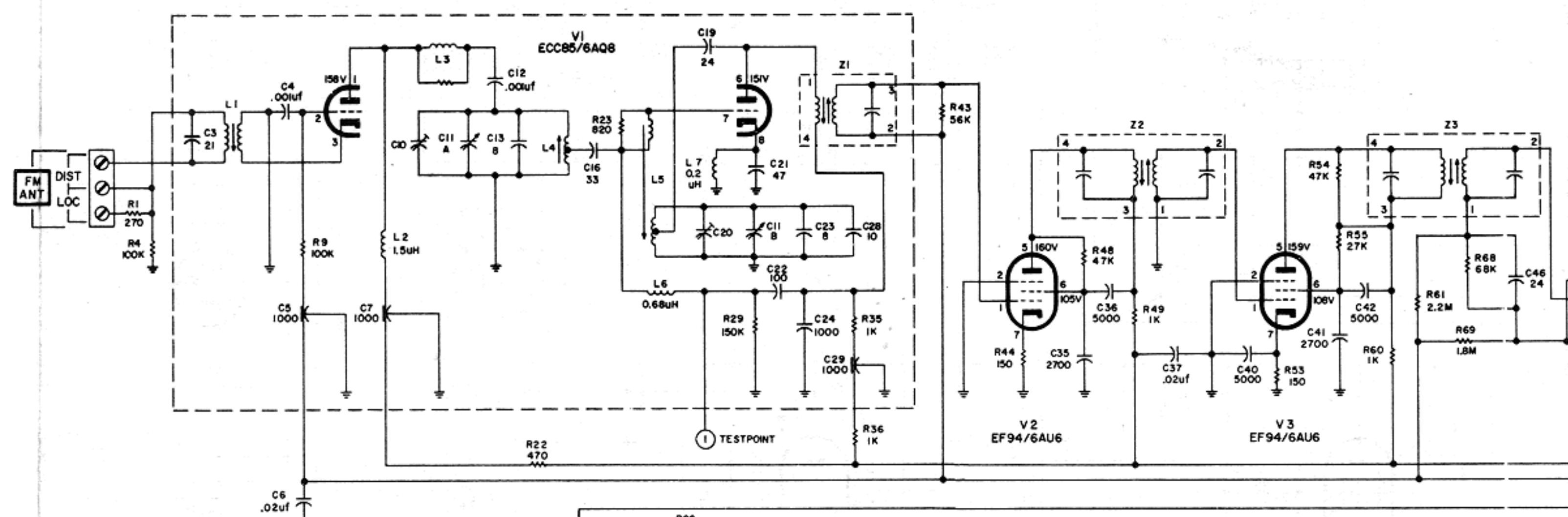
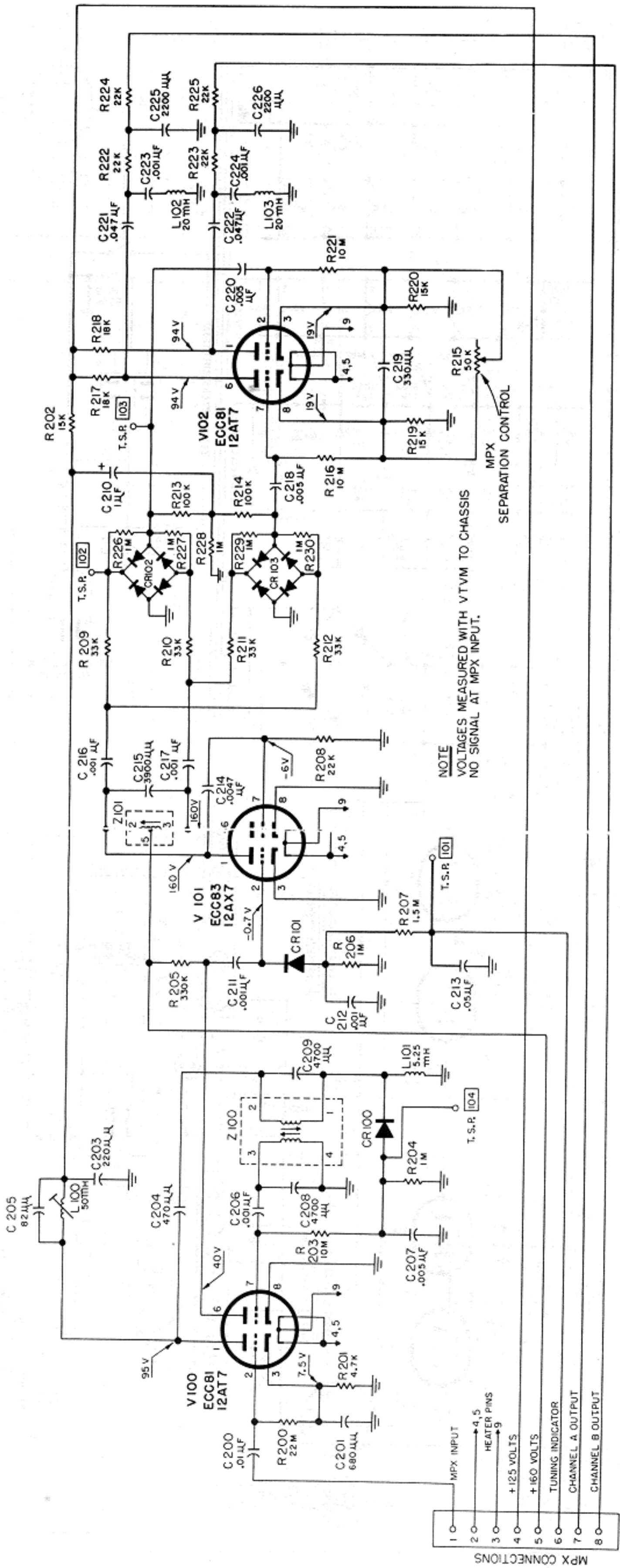


FISHER MODEL 500-B (SERIAL # 20001 TO 29999) FM STEREO RECEIVER





NOTE  
 VOLTAGES MEASURED WITH VTVM TO CHASSIS  
 NO SIGNAL AT MPX INPUT.

- MPX CONNECTIONS
- 1 0
  - 2 0
  - 3 0
  - 4 0
  - 5 0
  - 6 0
  - 7 0
  - 8 0
- MPX INPUT → 4,5  
 HEATER PINS → 9  
 +125 VOLTS  
 +160 VOLTS  
 TUNING INDICATOR  
 CHANNEL A OUTPUT  
 CHANNEL B OUTPUT

SEPARATION CONTROL  
 MPX